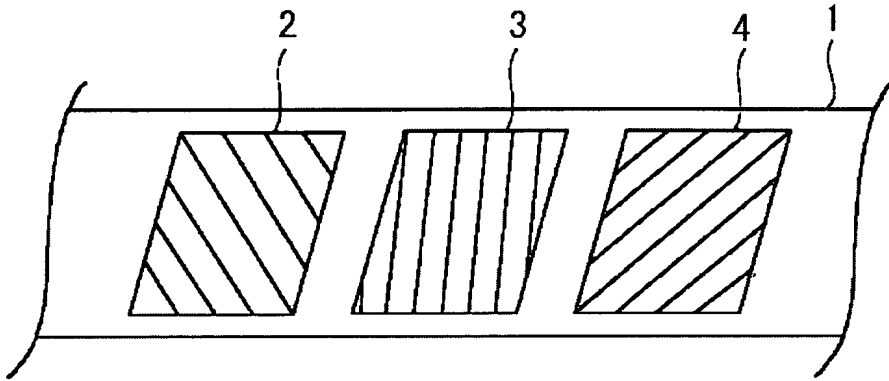
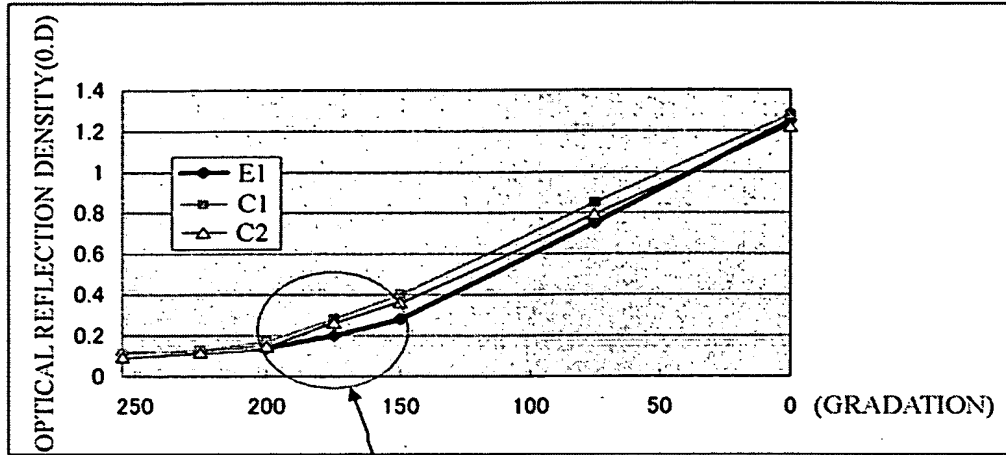


FIG. 1



BEST AVAILABLE COPY

FIG. 2



DIFFERENCES OCCUR IN
COMPLEXION

E: EMBODIMENT
C: COMPARATIVE EXAMPLE